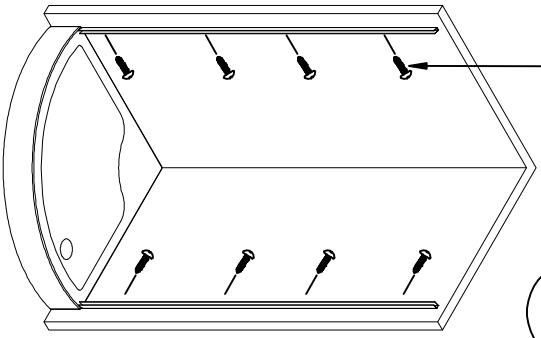


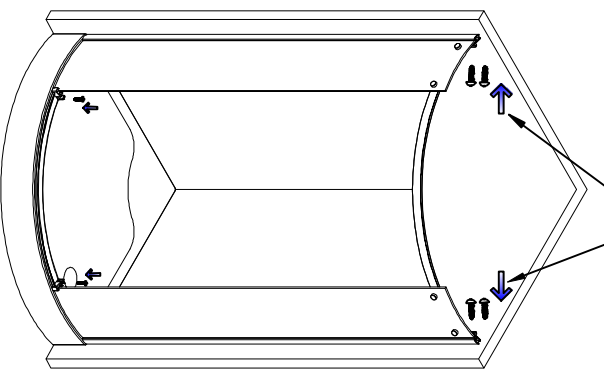
1

ST4X30=6

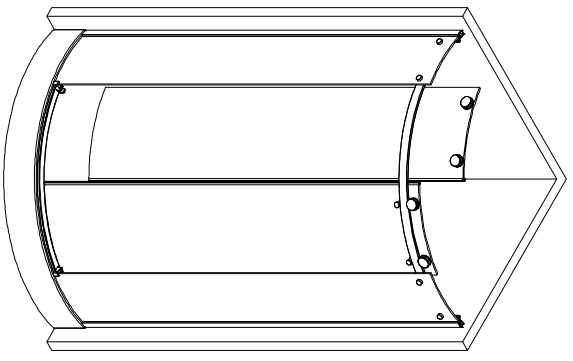


2

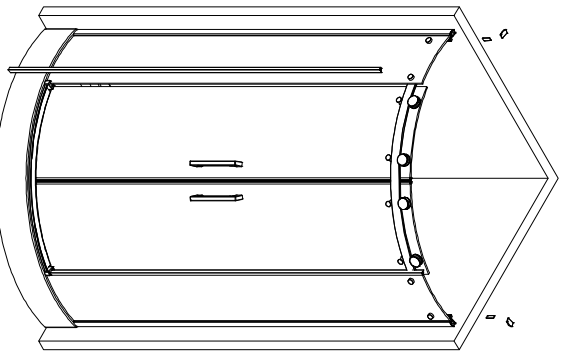
ST4X30=6



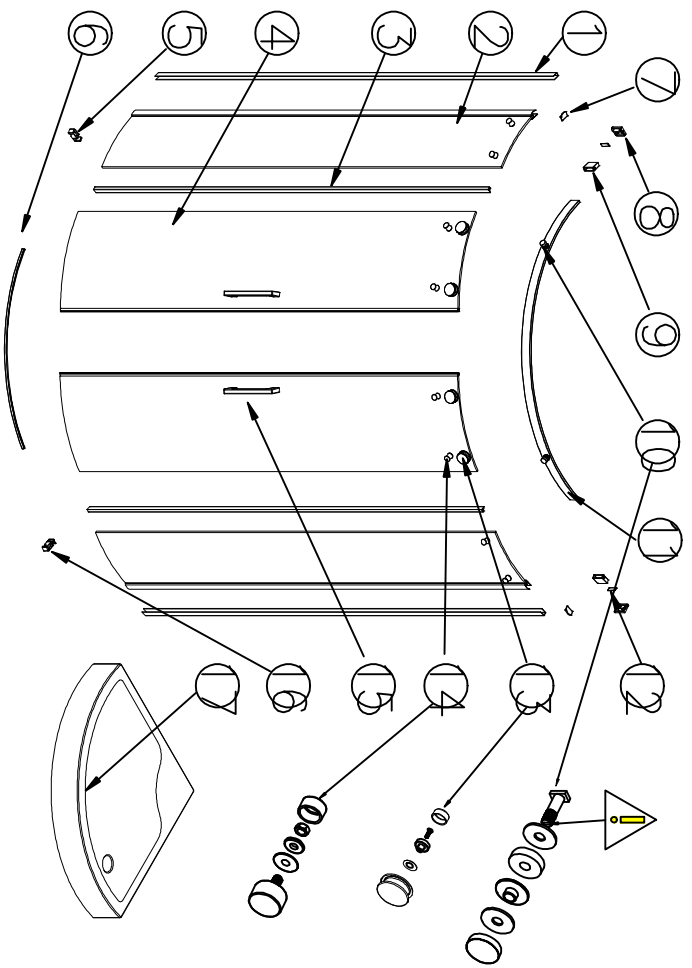
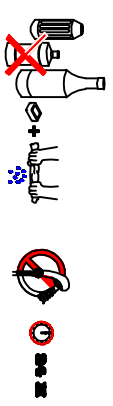
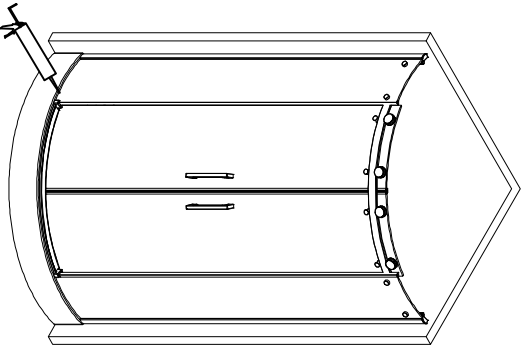
3



4



5



- |    |                           |        |
|----|---------------------------|--------|
| 1  | → Wall Aluminum 110°      | → 2PCS |
| 2  | → Fixed Panel             | → 2PCS |
| 3  | → Strip                   | → 4PCS |
| 4  | → Removable Glass         | → 2PCS |
| 5  | → Left Sliding Clamp      | → 1PCS |
| 6  | → Aluminum Waterproof Bar | → 1PCS |
| 7  | → Cover of Frame          | → 2PCS |
| 8  | → Alongside/Fall Folder   | → 2PCS |
| 9  | → Coat of Fall Folder     | → 2PCS |
| 10 | → Block for Fixed Glass   | → 4PCS |
| 11 | → Top Aluminum            | → 1PCS |
| 12 | → Cover for Wall Folder   | → 2PCS |
| 13 | → Big Roller              | → 4PCS |
| 14 | → Sliding-proof Part      | → 4PCS |
| 15 | → Handle                  | → 2PCS |
| 16 | → Right Sliding Clamp     | → 1PCS |
| 17 | → Tray                    | → 1PCS |